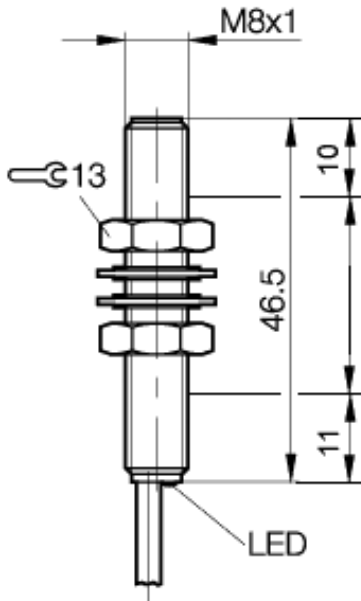


Inductive Sensors
BES 516-527-EO-H-03
M8x1 x 46.5
normally-closed
Sn=1,5mm
shielded



PX0490

Common Data

Mounting in steel	shielded
Rated operating distance Sn	1,5mm
Assured operating distance Sa	0...1.2mm
Repeatability R	≤ 5%
Hysteresis	≤ 20%
Function indication	yes
Ambient temperature range	-25...+70°C
Polution Degree	3
Time delay before availability	≤ 10ms

Mechanical Data

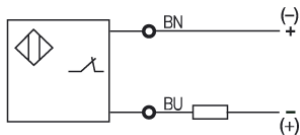
Measurements BxHxT or DxT	M8x1 x 46.5mm
Housing material	stainless steel
Material of sensing face	PBTP
Degree of protection	IP67IP
Connection	Cable
Cable type	LiYY-O
Schock: Halfsinus, 30 gn, 11ms	
Vibration: 55 Hz, 1mm Amplitude, 3 x 30 Minutes	

Electrical Data

Current type	DC
Wiring	2-Wire
switching function	normally-closed
Output signal	non-polarized
Rated operational voltage	24 DCV
Rated operational current	130mA
Supply voltage	10...55 DCV
Ripple	≤ 15%
max. switching frequency	3000Hz
Minimum operational current	5mA
No-load supply current	-mA
Off-state current	≤ 500µA
Maximum operational current	-mA
Voltage drop	≤ 5.0/-V
Short circuit protection	yes
Protected against polarity reversal	yes

Remarks

Mounting Instructions 825345



Utilization categories
 Insulation class

DC 13

Datasheet number:

Definitions see general catalog.
 If not otherwise noted, ratings according to
 IEC 60947-5-2 (DIN EN60947-5-2)

Balluff GmbH
 Schurwaldstrasse 9
 73765 Neuhausen a.d.F.
 Phone (07158) 173-0 Fax (07158) 5010

Datenblatt by CD-ROM - 04/2007

BALLUFF
 sensors worldwide